

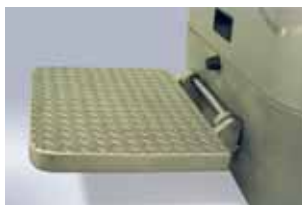


## Powered Stacker

### Stainless steel — with platform

The SWE120I is especially designed for use in food processing or pharmaceutical industry with its high demands in corrosive production environment and standards of hygiene. Equipped with elevating support arms for use in gradients and on uneven surfaces. The truck has a top capacity of 1600kg on the support arms and 1200kg in stacking mode.

The truck material is AISI304 (W. No. 1.4301 or SS2333) with all outside surfaces glass blasted.



- Equipped with **separate elevating fork**. This means that two separate loads may be carried at the same time (800kg + 800kg).
- The **comfortable steering arm**, with its modern design, facilitates one hand operation — either left or right hand. The display on the handle gives useful information.
- Choice of having **PIN Code** (up to 10) instead of key. Provides access control. Each code can store individual parameters to meet the driver's skill / environment.
- The **BT POWERDRIVE system**. The unique integration of contactless controls, CAN-Bus communication and a separately excited driving motor gives many advantages. The contactless controls give smooth and effortless driving. The CAN-Bus communication provides quick, reliable transmission and only a few communication cables are needed. The separately excited driving motor allows easy programming of its performance — top speed, acceleration and automatic speed reduction — to suit the application.
- **Regenerative braking**, energy back to the battery.
- The **spring loaded, anti-slip, foldable platform** enables the driver to work in tight situations and to ride over long distances for maximum comfort and efficiency.
- The truck is equipped with a modified **POWERTRAK** drive unit configuration. The drive unit automatically and constantly adjusts the drive wheel pressure to match the weight of the load. The result is excellent stability, unrivalled traction and an overall improvement in speed and work rate.
- Exceptional **battery power** with capacities available up to 300Ah. Battery compartment increases in height instead of thickness — effects neither the compactness nor the turning radius.
- Easy upwards and sideways **battery exchange** for continuous operation shift after shift. (Sideways exchange only for 240Ah).



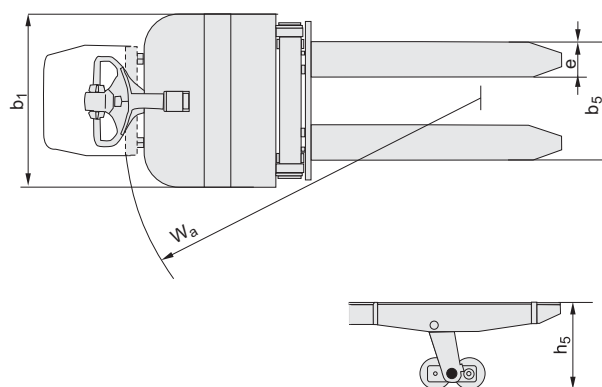
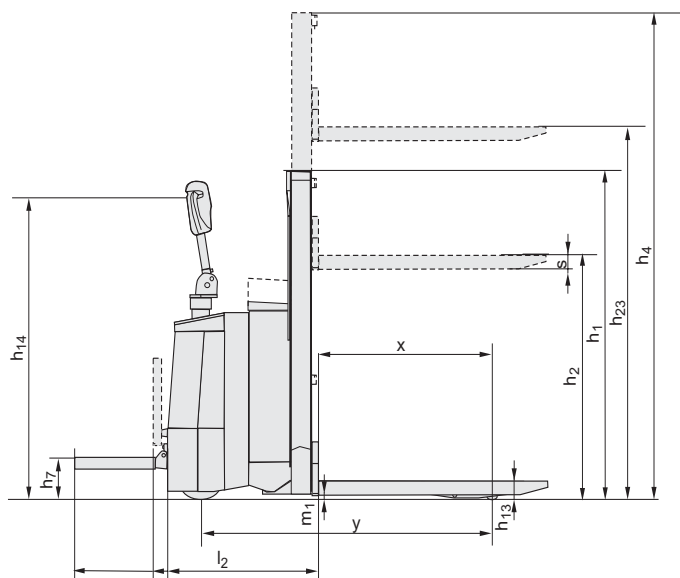
Technical Details		SWE120I
Power unit		electrical, battery
Rated capacity	kg	1050 <sup>1)</sup>
Rated capacity, support arm lift	kg	1600
Rated capacity, fork and support arm lift	kg	800+800 <sup>2)</sup>
Load centre	mm	600
Weight without battery	kg	912
Max. axle load drive wheel, without/with rated load	kg	405/475
Max. axle load castor wheels, without/with rated load	kg	235+235/255+255
Max. axle load fork wheels, without/with rated load	kg	155+155/900+900
Castor wheels, Vulkollan	mm	Ø 125x40
Drive wheel, Vulkollan, 75 shore	mm	Ø 215x70
Fork wheels, single/bogie, Vulkollan	mm	Ø 85x95/Ø 85x75
Travel speed, without/with 1200kg/1600kg	km/h	6.0/5.0/5.0
Lift speed, without/with rated load	m/s	0.16/0.10
Lowering speed, without/with rated load	m/s	0.13/0.16
Gradient, without/with rated load	%	10/8
Service-/parking brake		electro-mechanical
Drive motor/Intermittent rating	kW/%	1.7/60
Lift motor/Intermittent rating	kW/%	2.2/5
Battery (5h discharge), max.	V/Ah	24/300
Battery weight, min./max.	kg	200/250
Steering system		steering arm
Speed control, number of steps		BT Powerdrive
Steering arc	°	180

1) 1200kg to lift height 2200mm

2) To lift height 1500mm

Dimensions, mm		SWE120I
x	Back of fork to bogie wheel centre, fork raised/lowered	700/770
y	Wheel base, fork raised/lowered	1328/1398
h <sub>5</sub>	Support arm lift height, min./max.	85/225
h <sub>7</sub>	Platform height	180
h <sub>14</sub>	Height of handle in neutral pos.	1400
h <sub>13</sub>	Height of lowered fork	90
l <sub>2</sub>	Truck length incl. back of fork, min./platform up/down	790/870/1250
b <sub>1</sub>	Chassis, width	790
s	Fork thickness	70
e	Fork width	188
l	Fork length	1150/1000
b <sub>5</sub>	Width across fork	578
m <sub>1</sub>	Floor clearance under mast	25
A <sub>st</sub>	Aisle width, without/with platform up/down	2214/2291/2660
W <sub>a</sub>	Turning radius, without/with platform up/down	1584/1661/2030

Data is based on standard battery compartment, l = 1150mm, h<sub>23</sub> = Duplex Tele 2350mm



Truck performance and dimensions are nominal and subject to tolerances. BT Products AB products and specifications are subject to change without notice. All data is based on VDI 2198.

Mast, mm		Simplex	Duplex Tele					
<b>h<sub>23</sub></b>	<b>Total lift height <sup>1)</sup></b>	<b>1495</b>	<b>1800</b>	<b>2000</b>	<b>2350</b>	<b>2500</b>	<b>2700</b>	<b>2900</b>
h <sub>1</sub>	Height of mast, min.	2085	1535	1635	1810	1885	1985	2085
h <sub>2</sub>	Free lift	1495	—	—	—	—	—	—
h <sub>4</sub>	Height of mast, max.	2085	2390	2590	2940	3090	3290	3490

1) Special lift heights on demand, in 50mm steps.

## Why BT stainless steel stackers?

Wide, simplified and strong clear view mast  
All moving parts are greasable

Mast rollers in stainless steel

Chain in stainless steel

Ergonomic steering arm

Water resistant, closed design for cleaning and disinfection

Improved platform spring system

Castor wheels inside body

Special soft drive wheel with adjustable pressure for working on wet floors

Rounded shapes to fit in narrow areas

26 greasing points  
10 on mast, 16 on truck

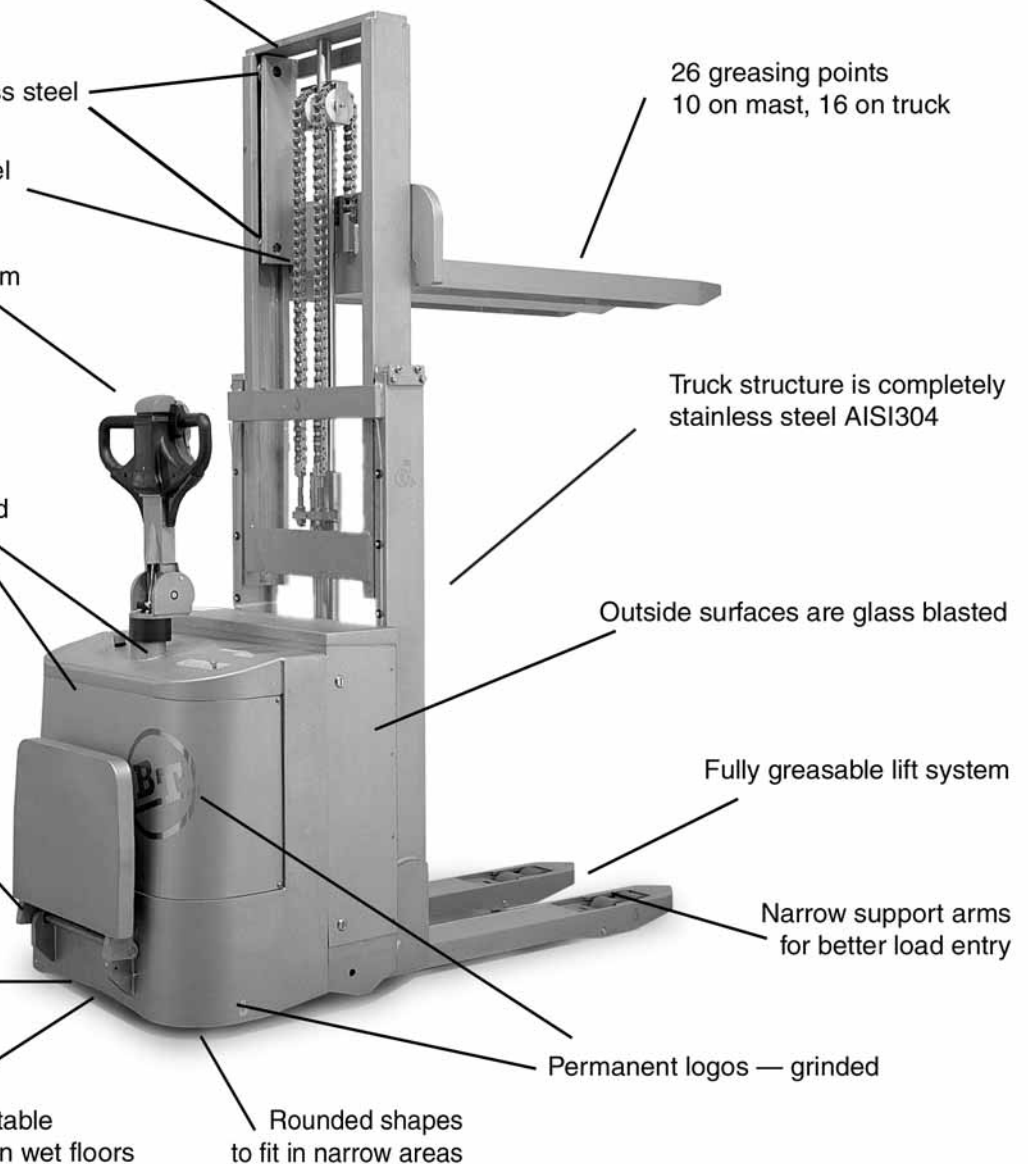
Truck structure is completely stainless steel AISI304

Outside surfaces are glass blasted

Fully greasable lift system

Narrow support arms for better load entry

Permanent logos — grinded





## Options

- Battery change table (carbon steel)
- Change plugs for spare battery
- Gearbox oil and hydraulic oil with USDA H1-certificate
- Maintenance kit for INOX trucks



BT  
SE-595 81 Mjölby Sweden  
Tel: +46 (0)142 860 00  
Fax: +46 (0) 142 866 00  
Email: [info@bt-forklifts.com](mailto:info@bt-forklifts.com)  
[www.bt-forklifts.com](http://www.bt-forklifts.com)

